

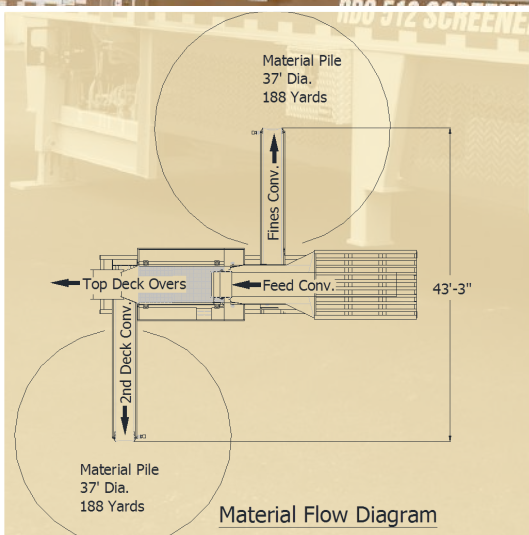
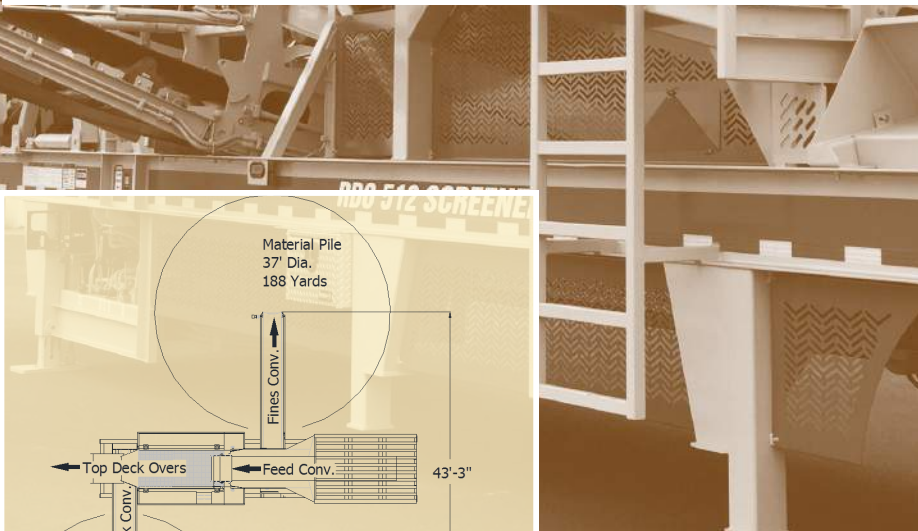


THE GROUNDWORX CO.

#2, 1008 17 AVE • NISKU, AB • T9E 0G5
888.222.2670 • WWW.GROUNDWORX.CA



RDO 512 SCREENER



Travel Specifications	
Weight - Single Axle	@Pin 23,700 @Axle 20,000
Height	13'-6"
Width	11'-11"
Length	46'-9"
Diesel Engine	
Manufacturer	Caterpillar
Model	C4.4
E.P.A.	Tier 3 Certified (Tier 4 available)
Turbo	Turbocharged non After cooled
Horsepower	91hp @ 2200 rpm
Radiator	Upgraded AKG Radiator
Cooling	Water Cooled
Fuel Tank	65 Gallon
Hydraulics	
Legs	2 hydraulic Jacking Legs
Aux. Valve	For off board conv. or opt. grizzly top
Hydraulic Tank	110 Gallon
Feeder Hopper	
Standard (Grizzly Ready)	Approx. 12 cu Yards
Wing Wall Hopper (Opt.)	18 Yards
Loading Height	13'-6"
Screen - 5x12x2D Step Deck	
Drive - Type	Hydraulic
Drive - Cubic Inch	4.5
Drive - RPM	1641
Screen Throw	5/8"
Suspension	Rubber Spring
Bearings	100mm (grease)
Feeder / Grizzly Options	
14' Hyd End Dump Grizzly (HEAVY DUTY)	
Misc. Options	
Single Shaft Soil Shredder	
Extra Axle (From Single to Double)	
Leg Options	
2 Rear Hydraulic Legs	
Strike Off Bar	
Screen Options	
Wet Kit	
Conveyor Options	
Belting Options: 3-Ply, Chevron Cleaning, Hot Splice	

Conveyors					
	Length	Width	Motor	Cubic Inches	F.P.M.
Feed Conveyor	23'-10"	48"	Hyd	19	Vari.
Under Screen Conveyor		42"	Hyd	32	235
Side Discharge Conveyor	23'	30"	Hyd	24	314
Rear Discharge Conveyor	23'	30"	Hyd	45	263