



CONE CRUSHER

-SP Series

Better x Faster x Stronger

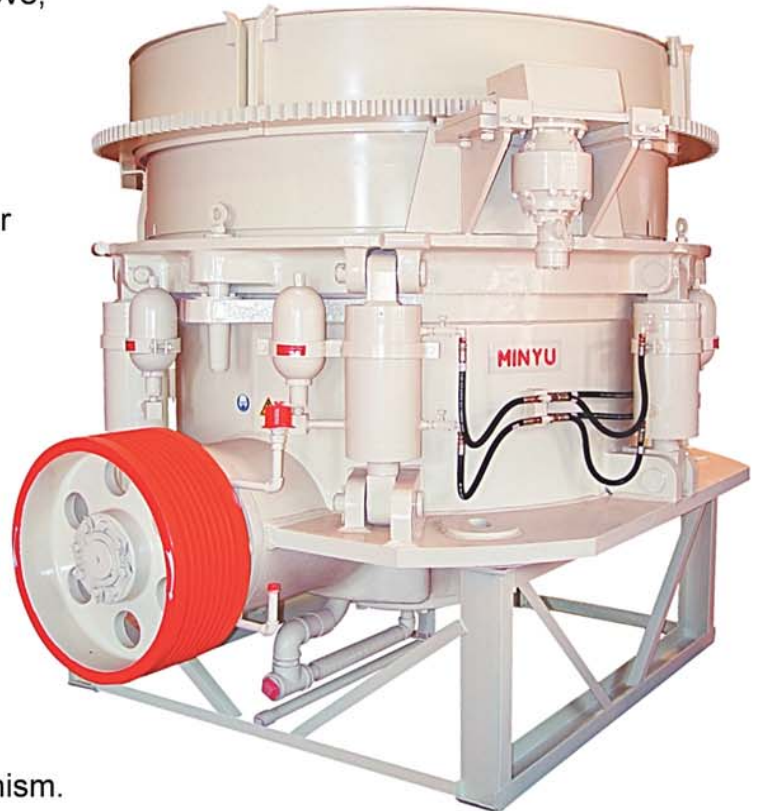


- ▷ MSP100
- ▷ MSP200
- ▷ MSP300
- ▷ MSP400

Feature



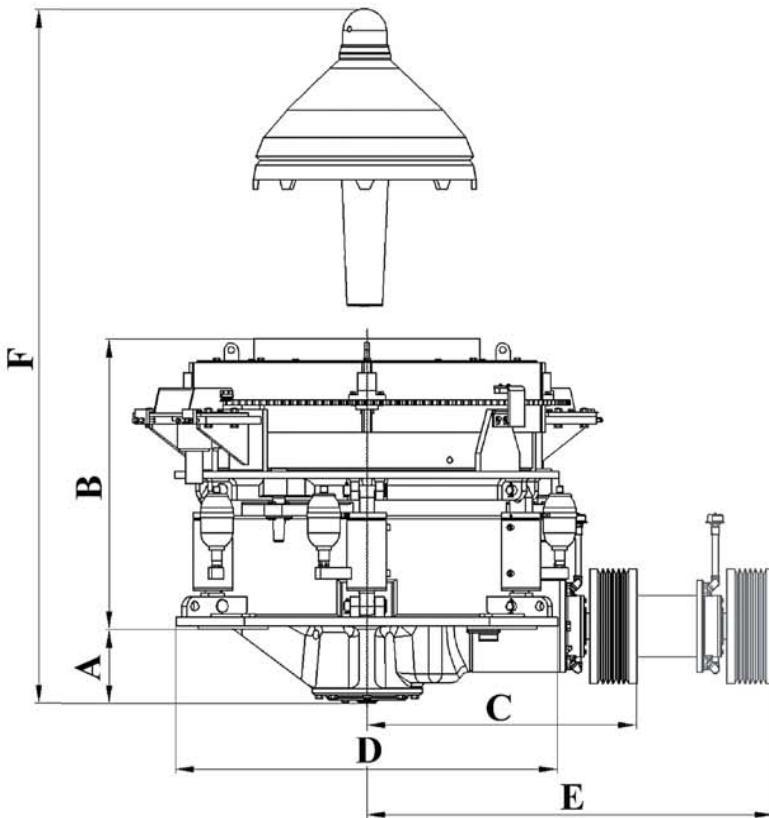
1. Higher eccentric height causes bigger crushing ratio and higher crushing efficiency.
2. Mantle and concave for coarse, medium and fine crushing can be installed in the same top cell assembly, to increase convenience of operation and flexibility.
3. High rotation speed, up to 750 RPM and above, for super big capacity.
4. Increased mantle slope for perfect cubical product shape.
5. No filling needed to fix the concave, for faster and more convenient concave replacement.
6. Automatic overload protection:
Upon overload, the discharge gap setting can be restored automatically, to ensure stable product quality.
7. Equipped with most advanced hydraulic control system for simple operation and less manpower.
8. Strong and tidy main frame structure with crusher sheave near the main frame, for quick power transmission and effectively extended service life of countershaft mechanism.
9. High production capacity, increased by 30%~40%.



MSP400 / 2007 / Taiwan / 350 TPH

Quality-Service-Friendship

General Dimension

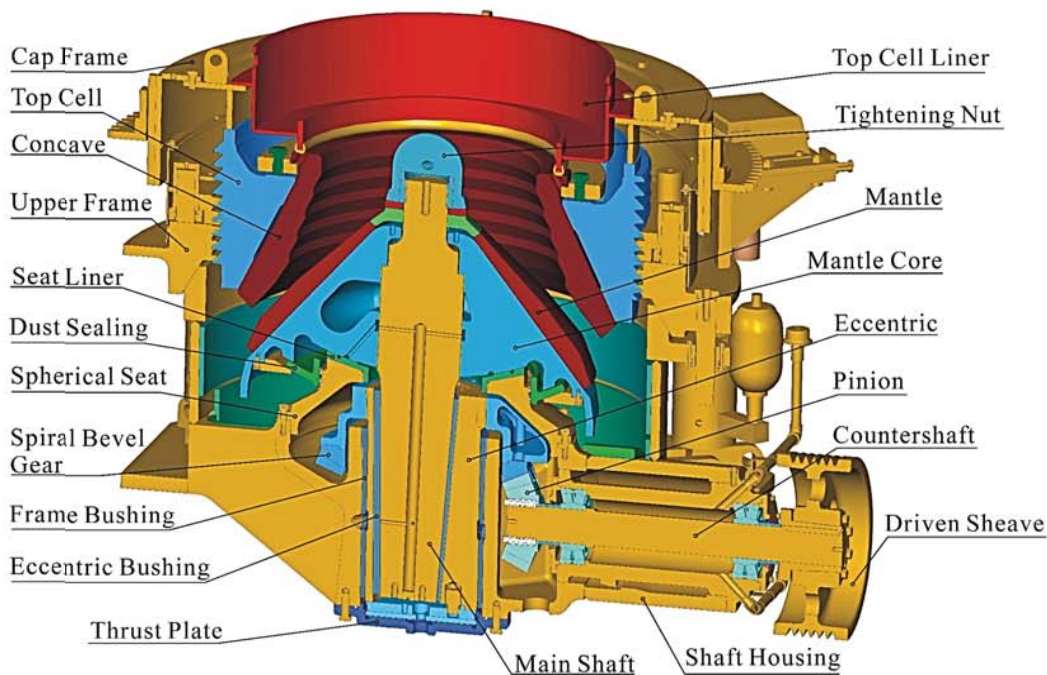


Dimensions [mm]	Model No.	
	MSP100	MSP200
A	264	423
B	1119	1445
C	1060	1255
D	1450	1808
E	1610	2075
F	2667	2945

Dimensions [mm]	Model No.	
	MSP300	MSP400
A	403	477
B	1583	1770
C	1471	1717
D	2126	2505
E	2407	2780
F	3252	3727

All parameters are for reference only and subject to change without notice.

Profile Construction



Patent

Country	Patent Number
U.S.A.	US 7,771,572
U.S.A.	US 7,931,223
Taiwan	M 353777
Taiwan	M 311480
Russia	No 103496
Russia	No 103309
Germany	Nr. 20 2008 009
France	07 01409
China	ZL 2007 2
China	ZL 2008 2
India	Under process
Brazil	Under process
Brazil	Under process



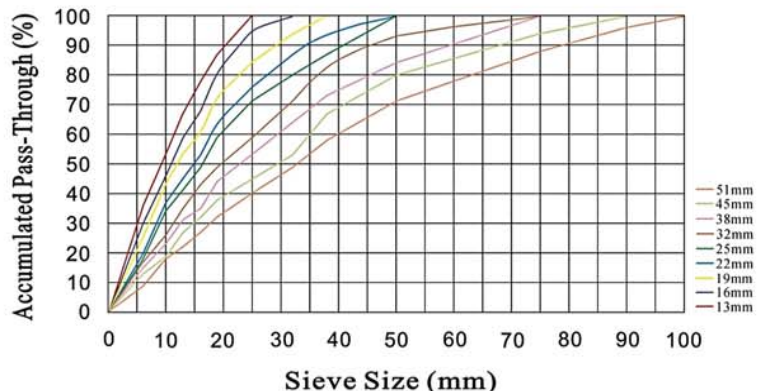
MSP300 / 2008 / Morocco / 250 TPH

General Specifications

Type	Max Feed Opening [mm]	Min Discharge Opening [mm]	Power [Kw]	Capacity [TPH] at closed side discharge opening size [mm]									Weight [Kg]
				13	16	19	22	25	32	38	45	51	
MSP100(C)	135	16	75-112		75-85	80-95	85-100	90-110	100-130				6800
MSP100(F)	105	16	75-112		55-70	65-80	70-85	75-95	90-110				6800
MSP200(C)	185	19	110-150				180-210	200-240	235-270	265-310			12000
MSP200(F)	145	17	110-150			145-165	160-195	185-220	210-245	230-280			12000
MSP200(S)	70	13	110-150	90-110	105-125	120-135	125-140	130-150	140-165				12000
MSP300(C)	210	22	180-225				210-240	230-280	270-320	290-350	320-380	360-430	18700
MSP300(F)	185	19	180-225			190-220	205-230	225-260	245-285	270-330	300-350		18700
MSP300(S)	90	16	180-225		135-155	150-170	165-185	180-200	200-220				18700
MSP400(C)	290	25	220-300					295-355	335-375	370-480	430-500	470-550	28400
MSP400(F)	210	22	220-300				265-310	290-330	315-360	350-410	390-440		28400
MSP400(S)	110	16	220-300		155-185	175-200	195-225	210-245	235-256				28400

Capacity/ throughput based on continuous regulated feed of clean, dry limestone of normal hardness with a bulk density of 1.6 ton / m³. Capacity may vary +/- 25% with the size and nature of the rock and the working conditions of the plant.

General Gradation Curves



Minyu Machinery Corp., Ltd.

Telephone: +886-2-8751-2022

Fax: +886-2-8751-2051

E-Mail: office@minyu.com

Address: 4F., No.431, Ruiguang Rd., Neihu
Dist., Taipei City 11492, Taiwan.

WWW.MINYU.COM