



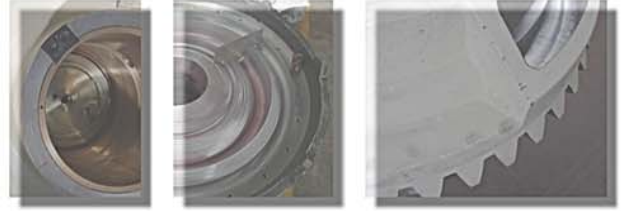
CONE CRUSHER

-Standard Series



- ▷ 600
- ▷ 1000
- ▷ 1150
- ▷ 1300
- ▷ 1370
- ▷ 1500
- ▷ 1680

Feature



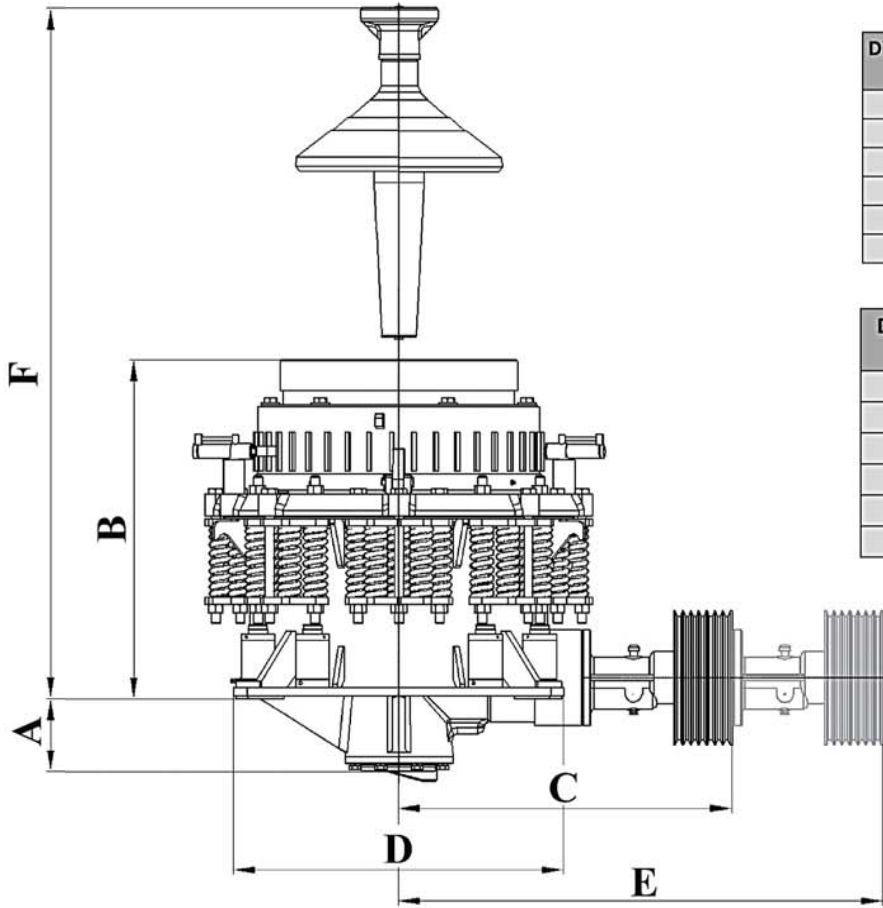
1. Big capacity, strong & durable structure, simple operation, easy maintenance, long service life with proper use and maintenance.
2. Main frame made of high strength steel plates and weld castings, with heat treatment and precision finishing.
3. Lubrication system with overall electric distribution, including temperature and pressure protection; just a simple connection with the main motor is sufficient for efficient protection.
4. With protection device from un-crushable materials, the balanced tension of the springs maintains a stable crushing force in the crushing chamber. When a foreign object enters, the impact will be buffered and the machine is protected.



MCC1000 / 2005 / France / 100 TPH

Quality-Service-Friendship

General Dimension

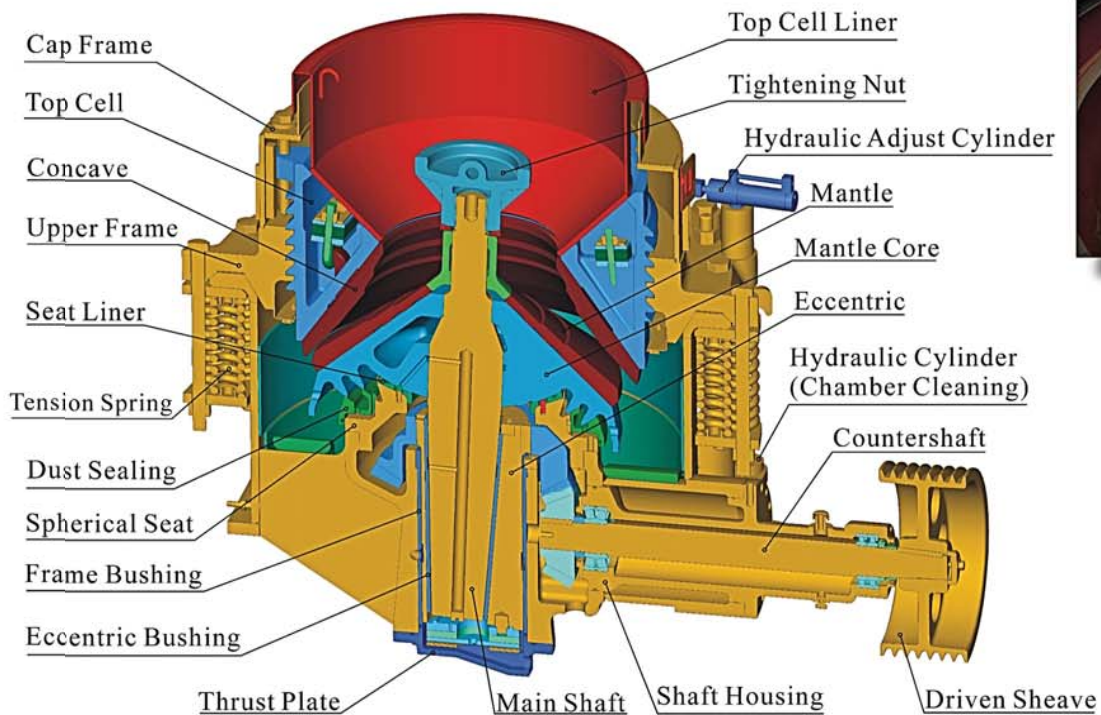


Dimensions [mm]	Model No.			
	600	1000	1150	1300
A	345	395	522	609
B	1146	1554	1690	1927
C	1105	1546	1670	1920
D	1250	1530	1760	2020
E	1750	2200	2415	2800
F	1920	2800	3000	3500

Dimensions [mm]	Model No.		
	1370	1500	1680
A	612	730	860
B	2151	2372	2183
C	1965	2216	2107
D	2200	2450	2860
E	2830	3170	3550
F	3900	4300	4700

All parameters are for reference only and subject to change without notice.

Profile Construction



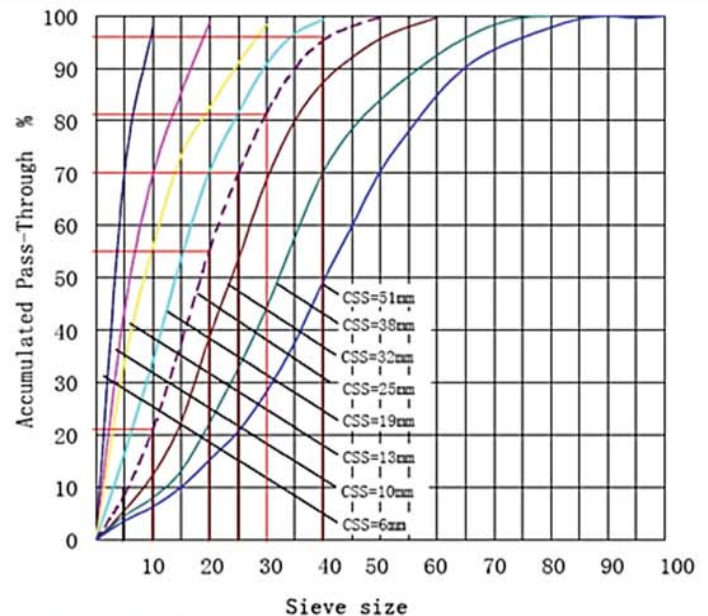
General Specifications

Model No.	Max. Feed Opening[mm]	Min. Discharge Opening [mm]	RPM	Motor Rating [kW]	Throughput (TPH) at Closed Side Discharge Opening[mm]										Weight [KG]
					6	10	13	16	19	22	25	38	51	64	
MCC600	95	10	630	37~45		20	25	30	35	45	50	76			5300
MCF600	72	6	630	37~45	18	20	25	30	35	40	45	60			5300
MCC1000	160	13	630	90~110			80	100	135	150	175	235			10800
MCF1000	115	10	630	90~110		65	75	90	120	135	150				10800
MCS1000	80	8	630	90~110		52	62	72	78	115					10510
MCSS1000	50	6	630	90~110	50	55	65	70	102						10510
MCC1150	180	13	610	110~132			115	135	150	180	200	260			15500
MCF1150	130	10	610	110~132		100	110	120	135	165	175				15500
MCS1150	90	10	610	110~132		80	105	110	140						15500
MCSS1150	60	6	610	110~132	60	74	105	110	130						15500
MCC1300	200	16	610	132~160				150	180	200	230	310	390		22300
MCF1300	150	13	610	132~160			115	145	160	190	210				22300
MCS1300	102	10	610	132~160		90	115	140	160						22300
MCSS1300	70	8	610	132~160		88	110	135	155						22300
MCC1370	215	19	610	185~220					200	220	260	350	440		26300
MCF1370	160	16	610	185~220					155	180	200	220			26300
MCS1370	115	13	610	185~220			150	190	210	230					26300
MCSS1370	76	8	610	185~220		122	148	185	200						26300
MCC1500	235	22	560	185~225						265	310	420	525	580	37750
MCF1500	175	19	560	185~225					215	240	265	320			37750
MCS1500	130	13	560	185~225			180	210	235	255	275				37750
MCSS1500	90	10	560	185~225		148	178	200	220						37750
MCC1680	267	22	560	250~300						330	390	525	655	725	44300
MCF1680	203	16	560	250~300				230	270	300	330				44300
MCS1680	140	13	560	250~300			185	225	265	340					44300
MCSS1680	95	10	560	250~300		180	220	260	335						44300

Capacity/ throughput based on continuous regulated feed of clean, dry limestone of normal hardness with a bulk density of 1.6 ton / m3. Capacity may vary+/- 25% with the size and nature of the rock and the working conditions of the plant.



General Gradation Curves



Minyu Machinery Corp.,Ltd.

Telephone: +886-2-8751-2022

Fax: +886-2-8751-2051

E-Mail: office@minyu.com

Address: 4F., No.431, Ruiguang Rd., Neihu Dist., Taipei City 11492, Taiwan.